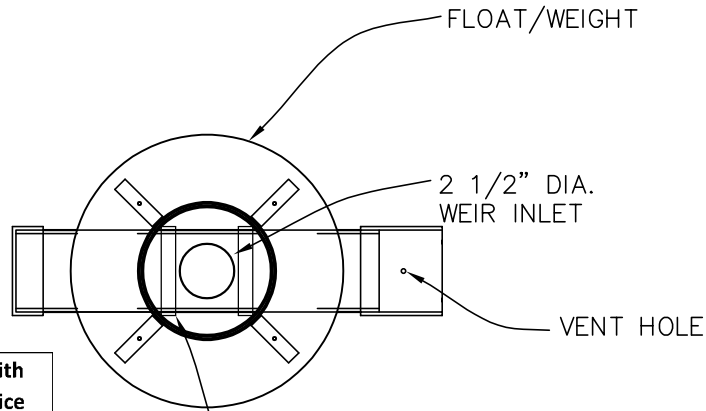


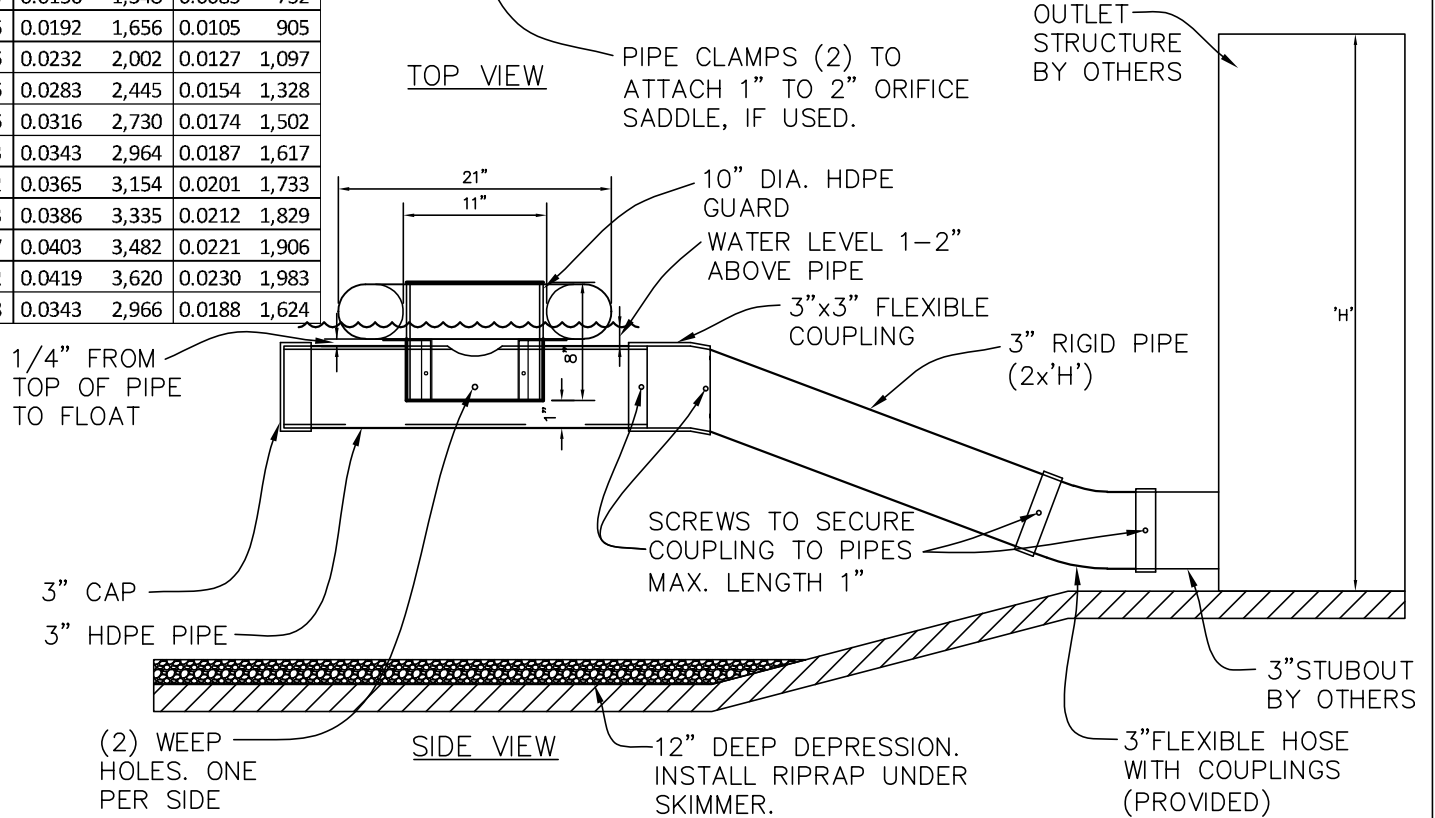
STANDARD NOTES:

1. Rigid outlet pipe should be 1.5 times the height of outlet structure (min. 6').
2. Inlet Orifice size can be reduced with 2", 1.5" & 1" saddles provided.
3. Minimal assembly required. User provides rigid outlet pipe. All other materials and parts included.



| Water Depth | 2.5" Skimmer | | 2.5" with 2" orifice | | 2.5" with 1.5" orifice | | 2.5" with 1" Orifice | |
|---------------|--------------|-------|----------------------|-------|------------------------|-------|----------------------|-------|
| | cfs | cfm | cfs | cfm | cfs | cfm | cfs | cfm |
| 0.1 | 0.0486 | 4,197 | 0.0212 | 1,829 | 0.0156 | 1,348 | 0.0085 | 732 |
| 0.3 | 0.0568 | 4,909 | 0.0281 | 2,426 | 0.0192 | 1,656 | 0.0105 | 905 |
| 0.5 | 0.0664 | 5,737 | 0.0370 | 3,196 | 0.0232 | 2,002 | 0.0127 | 1,097 |
| 1.0 | 0.0778 | 6,719 | 0.0490 | 4,236 | 0.0283 | 2,445 | 0.0154 | 1,328 |
| 1.5 | 0.0853 | 7,374 | 0.0577 | 4,986 | 0.0316 | 2,730 | 0.0174 | 1,502 |
| 2.0 | 0.0911 | 7,874 | 0.0648 | 5,603 | 0.0343 | 2,964 | 0.0187 | 1,617 |
| 2.5 | 0.0960 | 8,298 | 0.0711 | 6,142 | 0.0365 | 3,154 | 0.0201 | 1,733 |
| 3.0 | 0.1001 | 8,645 | 0.0767 | 6,623 | 0.0386 | 3,335 | 0.0212 | 1,829 |
| 3.5 | 0.1036 | 8,953 | 0.0816 | 7,047 | 0.0403 | 3,482 | 0.0221 | 1,906 |
| 4.0 | 0.1067 | 9,222 | 0.0860 | 7,432 | 0.0419 | 3,620 | 0.0230 | 1,983 |
| Avg (0.5'-4') | 0.0909 | 7,853 | 0.0655 | 5,658 | 0.0343 | 2,966 | 0.0188 | 1,624 |

FLOW RATES BASED ON THIRD PARTY TESTING. FOR DESIGN PURPOSES ASSUME FLOW RATES REMAIN CONSTANT FOR DEPTHS GREATER THAN 4'.



MODEL 1
1" - 2 1/2" Marlee Float Skimmer Detail



WEB PAGE
WWW.SWPRODUCTSUS.COM
 PHONE #
 1-855-697-9333

SCALE
 N.T.S.
 DATE
 05/08/17

PROPERTY LOCATION

 County, State