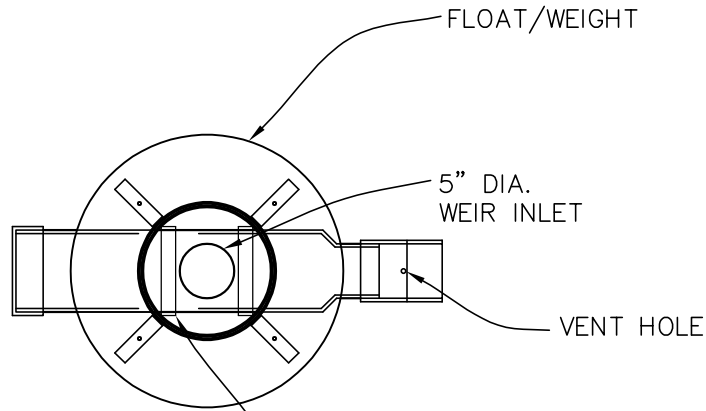


STANDARD NOTES:

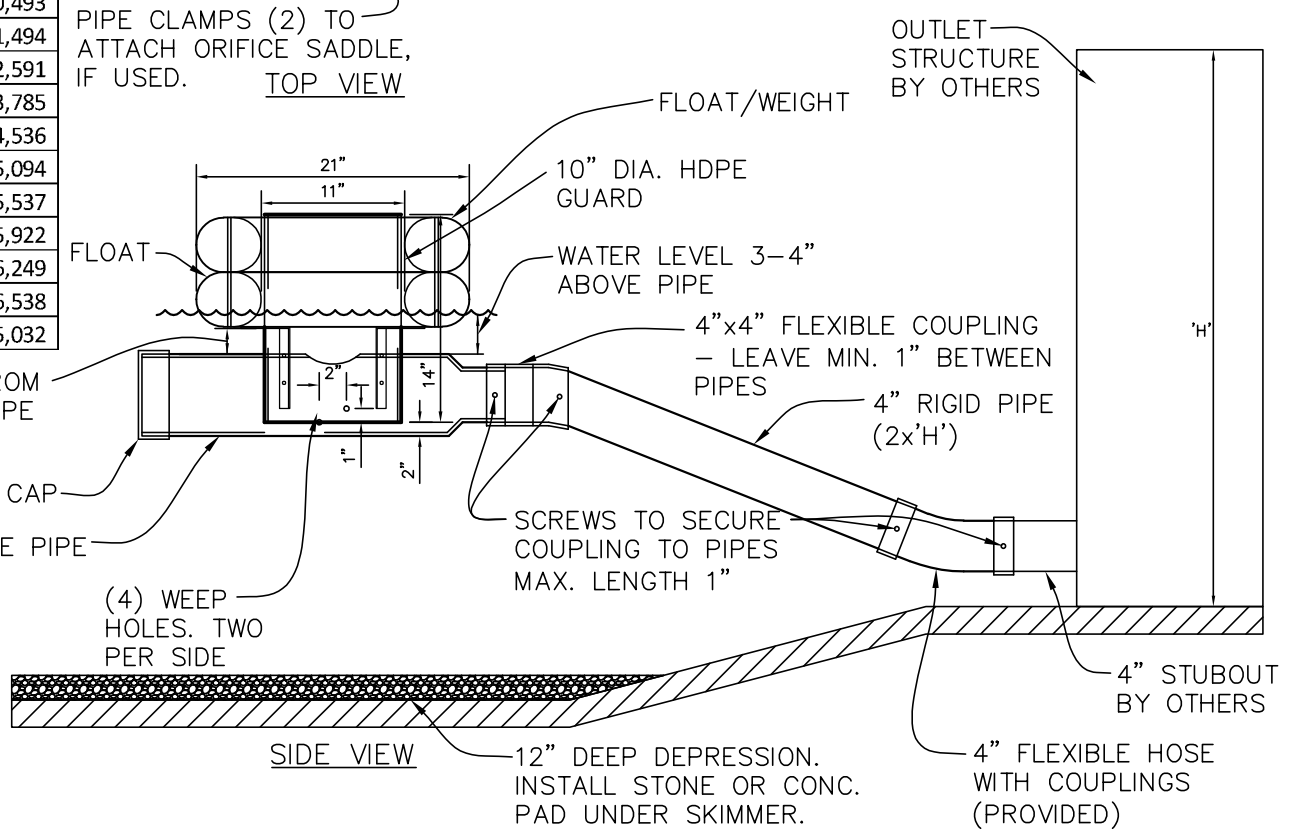
1. Rigid outlet pipe should be 1.5 times the height of outlet structure (min. 8').
2. Inlet Orifice size can be reduced with 3" & 4" saddles provided.
3. Minimal assembly required. User provides rigid outlet pipe. All other materials and parts included.

Water Depth Ft	5" skimmer		5" with 4" Orifice		5" with 3" Orifice	
	cfs	cfm	cfs	cfm	cfs	cfm
0.1	0.1934	16,711	0.1297	11,205	0.1214	10,493
0.3	0.2179	18,829	0.1526	13,188	0.1330	11,494
0.5	0.2456	21,217	0.1798	15,537	0.1457	12,591
1.0	0.2768	23,912	0.2119	18,309	0.1595	13,785
1.5	0.2966	25,625	0.2331	20,138	0.1682	14,536
2.0	0.3117	26,935	0.2496	21,563	0.1747	15,094
2.5	0.3240	27,994	0.2629	22,718	0.1798	15,537
3.0	0.3343	28,879	0.2745	23,719	0.1843	15,922
3.5	0.3434	29,669	0.2848	24,605	0.1881	16,249
4.0	0.3512	30,342	0.2939	25,394	0.1914	16,538
Avg (0.5'-4')	0.3104	26,822	0.2488	21,498	0.1740	15,032

FOR DESIGN PURPOSES ASSUME FLOW RATES REMAIN CONSTANT FOR DEPTHS GREATER THAN 4'. FLOW RATES BASED ON THIRD PARTY TESTING.



PIPE CLAMPS (2) TO ATTACH ORIFICE SADDLE, IF USED.
TOP VIEW



SIDE VIEW

MODEL 2
3" - 5" Marlee Float
Skimmer Detail



WEB PAGE
WWW.SWPRODUCTSUS.COM
PHONE #
1-855-697-9333

SCALE
N.T.S.
DATE
05/08/17

PROPERTY LOCATION

County, State